

AngleStar®

Electronic Protractor System

The AngleStar® Protractor System (APS) is a ready to use, stand alone system for angle measurements. The system incorporates the AccuStar® Electronic Clinometer, a digital display, and a four foot cable. (Cable lengths up to 200 feet are available. Consult factory for details.) This system works on a 9 volt battery and needs no external power.

The display can be mounted up to 200 feet from the sensor. There are three systems to choose from, ±20 degrees with a 0.01 degree resolution, ±45°, or a +90° with 0.1 degree resolution.

Features

- ❑ **Three-part system – sensor, LCD display and cable**
- ❑ **Remote sensing – 200 feet for display**
- ❑ **Ranges: ±20°, ±45° or +90°**

Applications

- ❑ **Platform leveling**
- ❑ **Antenna positioning**
- ❑ **Mining equipment**
- ❑ **Machine tooling**

Performance Specifications

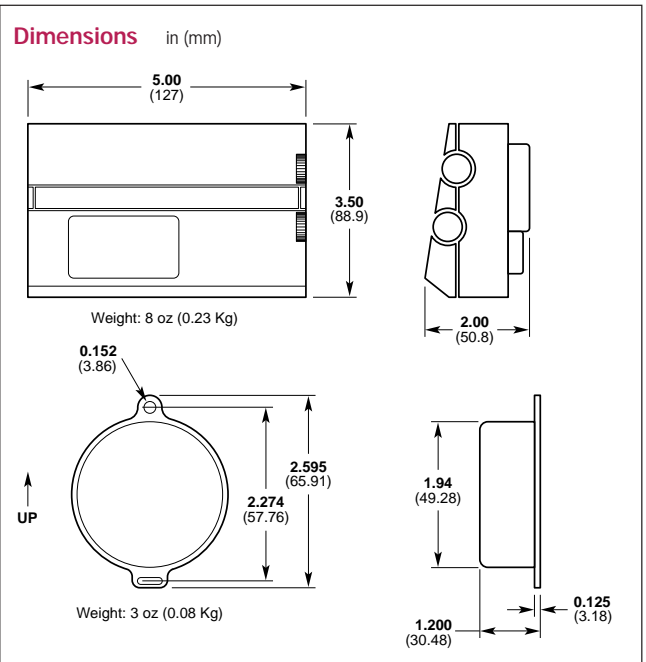
Standard (P/N 02160001-000)	
Linear Range	±45°
Threshold & Resolution	0.1°
High Resolution (P/N 02160003-000)	
Linear Range	±19.99°
Threshold & Resolution	0.01°
90 Degree (P/N 02160005-000)	
Linear Range	0° to 90°
Threshold & Resolution	0.1°
Linearity*	
Null to 10°	0.1°
10° to 45°	±1% of angle
Null Repeatability	±0.1°
Cross Axis Error	<1% up to 45°
Sensor Time Constant	0.3 second
Sensor Frequency	
Response	0.5 Hz

Electrical Specifications

Voltage Supply	9 volt battery
Battery Life (approx.)	1000 hours
Temperature Range	-18° to 55°C
Interconnect Cable	
Four Conductor, AWG 26, PVC Jacket	
Standard Length	4 feet (≈1.2 meters)
Maximum Length	200 feet (≈61.5 meters)

*Linearity specification applies to standard and high resolution systems only.

(Cable lengths up to 200 feet are available. Consult factory for details.)



How to Order

Model Number	Range
02160001-000	±45°
02160003-000	±20°
02160005-000	0° to 90°

